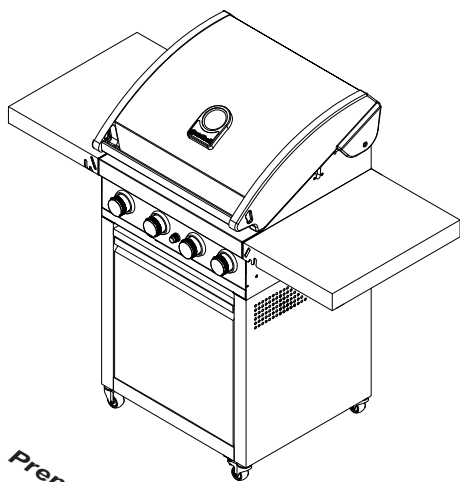


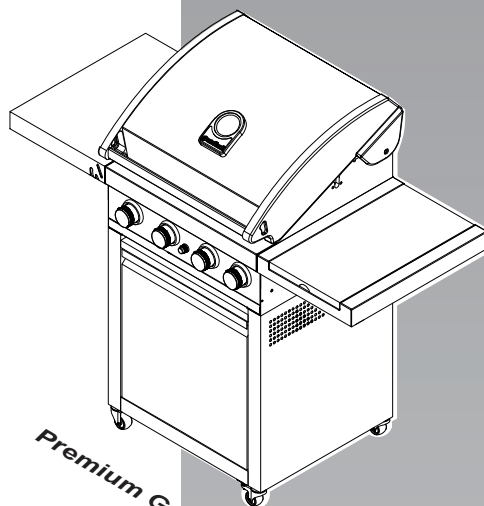
CE 2531-22

grandhall[®]
australian bbq style

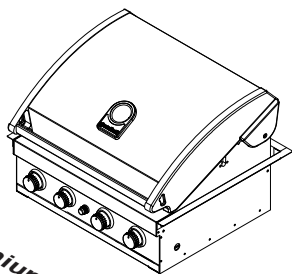
gas barbecue



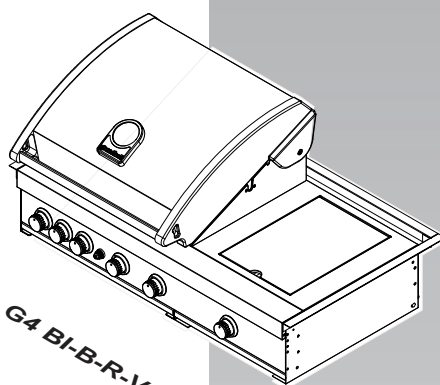
Premium G4-VF



Premium G4S-VF1



Premium G4I



G4 BI-B-R-V

- (IE) (GB) Assembly instructions
- (CH) (FR) Instructions d'assemblage
- (AT) (CH) (DE) Montageanweisungen
- (CH) (IT) Istruzioni per il montaggio
- (BE) (NL) Montage-instructies
- (SE) Montering
- (FI) Kokoamisohjeet
- (ES) Instrucciones de armado
- (PT) Instruções para Montagem
- (DK) Monteringsvejledning
- (NO) Montering
- (HR) Upute za montažu
- (SI) Navodila za montažo

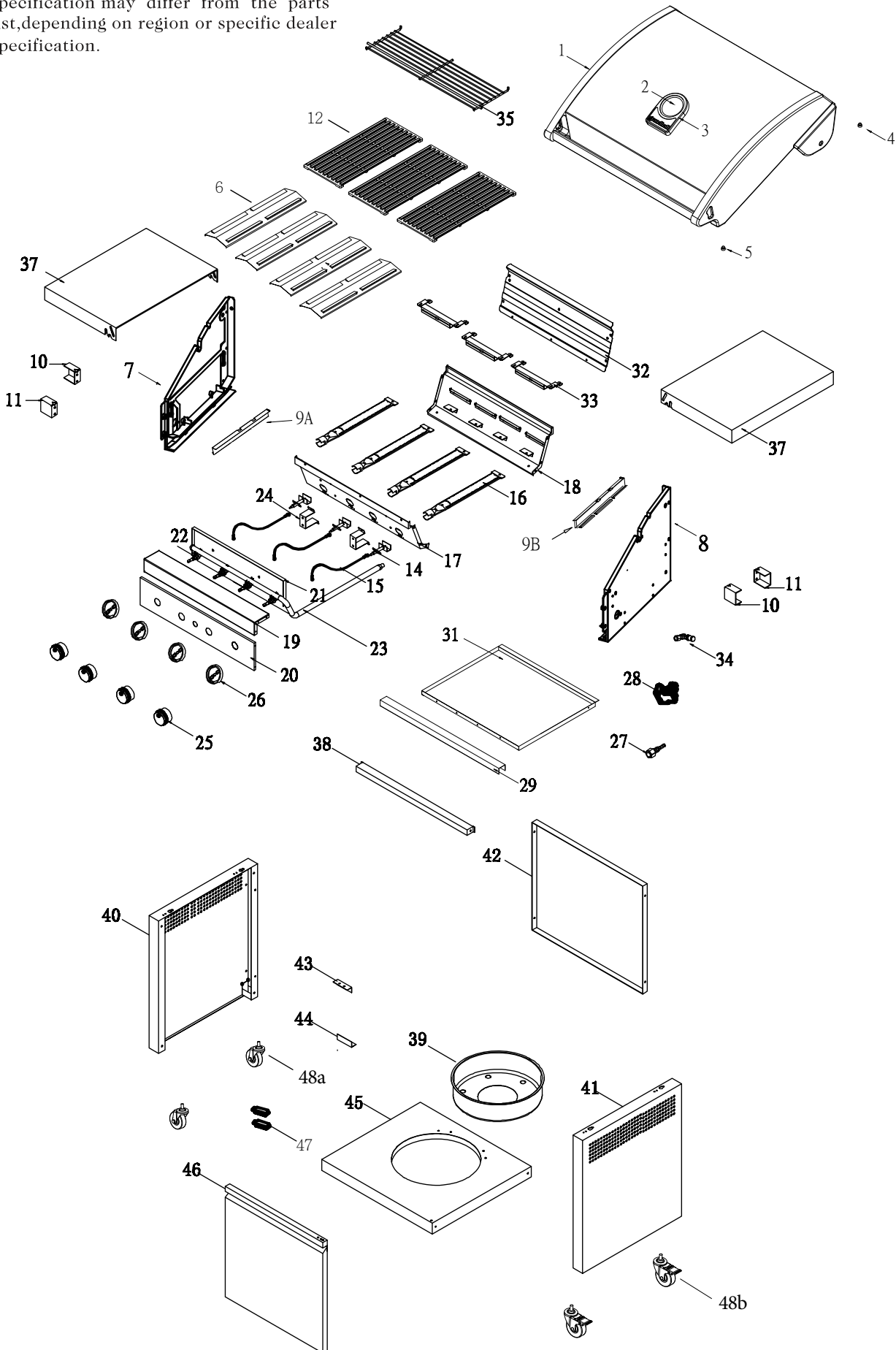
PART LIST G4-VF

<i>Ref</i>	<i>Description</i>	<i>Part No.</i>	<i>Qty</i>	<i>Ref</i>	<i>Description</i>	<i>Part No.</i>	<i>Qty</i>
1	Lid Assembly	S0210-04	1	25	Control knob - main burner	S0164-20	4
2	Temperature Gauge	S0214-26	1	26	Knob Seat	S0174-12	4
3	Name plate	S0146-227	1	27	Universal Hose Bar -1/4 LH inlet	S0168-28	1
4	Lid Rubber Pad, Rear	S0146-158	2	28	Electric Ignitor	K0084-69	1
5	Lid Rubber Pad, Front	S0128-35	2	29	Grease Tray Handle	S0146-42	1
6	Flame Tamer	S0146-50	4	31	Grease Tray	S0220-08	1
7	Bowl Panel, Left	S0220-16	1	32	Bowl Wind Shield	S0146-37A	1
8	Bowl Panel, Right	S0228-09	1	33	Crossfire box	S02146-204Z	3
9A	Bowl Grease Shield	S0211-25A	1	34	Adaptor-1/4 LH inlet	S0146-197	1
9B	Bowl Grease Shield	S0211-25B	1	35	Warming Rack	S0146-56C-S430	1
10	Side Shelf Bracket,LF/RR	S0146-73-HR	2	37	Side Shelf	S0146-71-CR	2
11	Side Shelf Bracket,RF/LR	S0146-74A-HR	2	38	Cart Bracket, Front	S0146-06-CR	1
12	Cooking Grid	S0146-57C	3	39	Gas cylinder housing	S0118-61A-CR	1
14	Gas Collector Box with Electrode	S0227-03	4	40	Trolley Panel, Left	S0146-02E	1
15	Electric Wire Set	S0146-59	1set	41	Trolley Panel, Right	S0146-02G	1
16	Main Burner	S0221-15	4	42	Trolley Panel, Rear	S0146-04C-CR	1
17	Bowl Panel, Front	S0227-12	1	43	Door guide - upper	S0146-10B-CR	1
18	Bowl Panel, Rear	S0227-13	1	44	Door guide - lower	S0146-10-CR	1
19	Upper control Panel	S0227-05	1	45	Trolley Bottom Panel	S0146-01E-CR06	1
20	Control Panel	S0227-06	1	46	Door	S0146-07Z	1
21	Gas Valve Heat Shield	S0227-09	1	47	Magnet seat	S0003-05E	2
22	Main Valve-without jet	S0227-11	4	48a	2" caster(without Brake)	S0146-218	2
23	Manifold	S0146-61-02	1	48b	2" caster(with Brake)	S0146-217	2
24	Gas Valve Heat Shield Bracket	S0146-40-ZN	2		Hardware Pack	KHWP0032	1

G4-VF Model

This diagram is provided to assist you identify parts if replacement is necessary. Contact your place of purchase or the manufacturer to enuire about parts, availability and ou service.

Items included in your barbecue specification may differ from the parts list, depending on region or specific dealer specification.



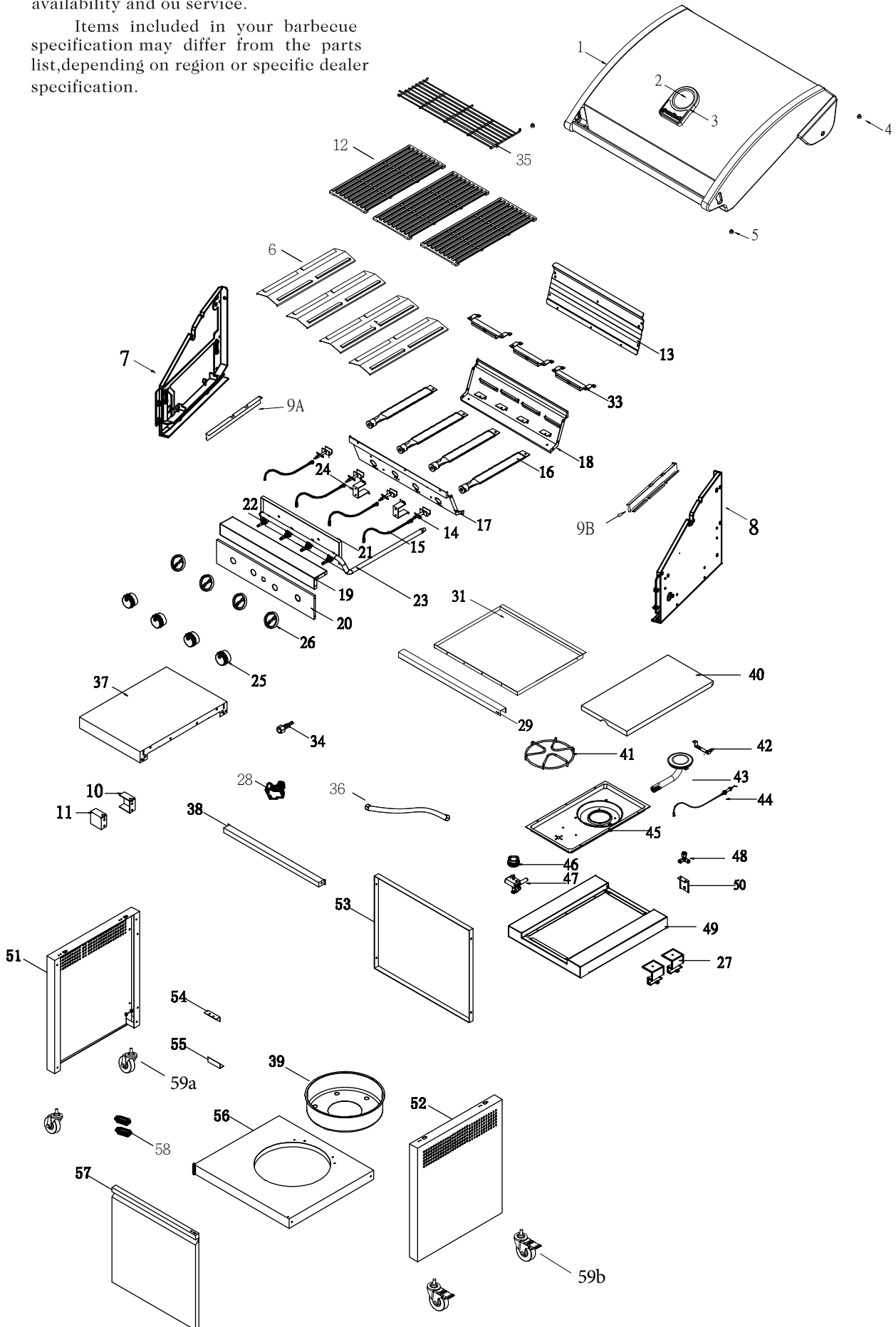
PART LIST G4S-VF1

Ref	Description	Part No.	Qty	Ref	Description	Part No.	Qty
1	Lid Assembly	S0210-04	1	31	Grease Tray	S0220-08	1
2	Temperature Gauge	S0214-26	1	33	Crossfire box	S02146-204Z	3
3	Name plate	S0146-227	1	34	Adaptor-1/4 LH inlet	S0168-28	1
4	Lid Rubber Pad, Rear	S0146-158	2	35	Warming Rack	S0146-56C-S430	1
5	Lid Rubber Pad, Front	S0128-35	2	36	Hose	S0227-04	1
6	Flame Tamer	S0146-50	4	37	Side Shelf, Left	S0146-71-CR	1
7	Bowl Panel, Left	S0220-16	1	38	Cart Bracket, Front	S0146-06-CR	1
8	Bowl Panel, Right	S0228-09	1	39	Gas cylinder housing	S0118-61A-CR	1
9A	Bowl Grease Shield	S0211-25A	1	40	Side Shelf Lid	S0208-06-CR08	1
9B	Bowl Grease Shield	S0211-25B	1	41	Side Shelf Pot Support	S0003-48	1
10	Side Shelf Bracket,Rear	S0146-73-HR	1	42	Side Burner Mounting Brakcet	S0167-60	1
11	Side Shelf Bracket,Front	S0146-74-HR	1	43	Side Burner	S0210-03	1
12	Cooking Grid	S0146-57C	3	44	Electrode- Side Burner	S0205-42	1
13	Bowl Wind Shield	S0146-37A	1	45	Side Shelf Body	S0149-22-SPP	1
14	Gas Collector Box with Electrode	S0227-03	4	46	Control Knob - side burner	S0150-18	1
15	Electric Wire Set	S0146-59	1set	47	Valve- Side Burner	S0210-02	1
16	Main Burner	S0221-15	4	48	Adaptor-1/4 LH inlet	S0165-09	1
17	Bowl Panel, Front	S0227-12	1	49	Side Shelf Trim Plate	S0200-02-CR	1
18	Bowl Panel, Rear	S0227-13	1	50	Burner Bracket-Side Burner	S0149-46-CR	1
19	Upper control Panel	S0227-05	1	51	Trolley Panel, Left	S0146-02E	1
20	Control Panel	S0227-06	1	52	Trolley Panel, Right	S0146-02G	1
21	Gas Valve Heat Shield	S0227-09	1	53	Trolley Panel, Rear	S0146-04C	1
22	Main Valve-without jet	S0227-11	4	54	Door guide - upper	S0146-10B-CR	1
23	Manifold	S0227-10	1	55	Door guide - lower	S0146-10-CR	1
24	Gas Valve Heat Shield Bracket	S0146-40-ZN	2	56	Trolley Bottom Panel	S0146-01E-CR	1
25	Control knob - main burner	S0164-20	4	57	Door	S0146-07Z	1
26	Knob Seat	S0174-12	4	58	Magnet seat	S0003-05E	2
27	Side burner hose bracket	S0146-207	2	59 a	2" caster (without Brake)	S0146-218	2
28	Electric Ignitor	K0084-69	1	59 b	2" caster (with Brake)	S0146-217	2
29	Grease Tray Handle	S0146-42	1		Hardware Pack	KHWP0031	1

G4S-VF1 Model

This diagram is provided to assist you identify parts if replacement is necessary. Contact your place of purchase or the manufacturer to enquire about parts, availability and our service.

Items included in your barbecue specification may differ from the parts list, depending on region or specific dealer specification.



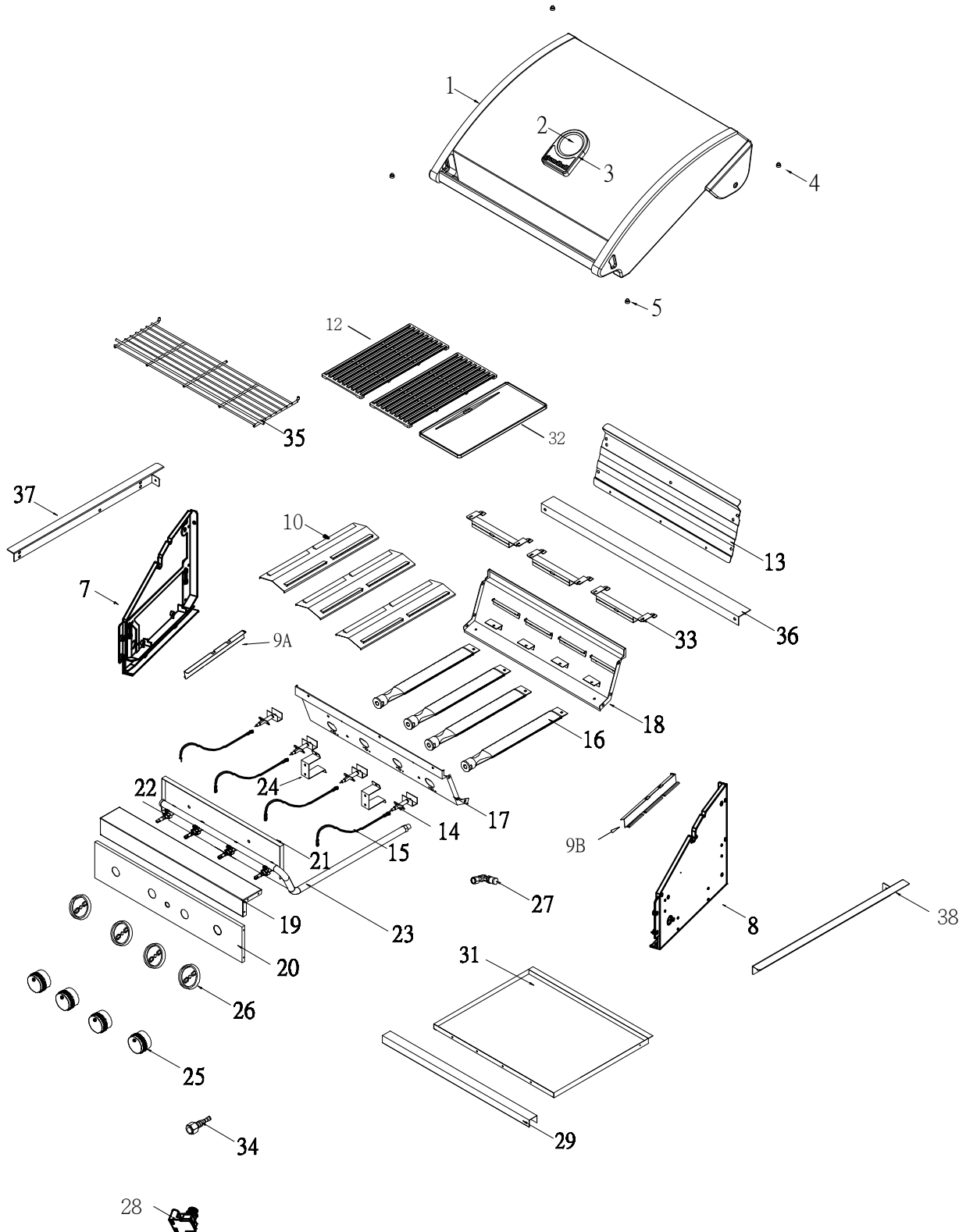
PART LIST G4I

<i>Ref</i>	<i>Description</i>	<i>Part No.</i>	<i>Qty</i>
1	Lid Assembly	S0210-04	1
2	Temperature Gauge	S0214-26	1
3	Name plate	S0146-227	1
4	Lid Rubber Pad, Rear	S0146-158	2
5	Lid Rubber Pad, Front"	S0128-35	2
7	Bowl Panel, Left	S0220-16	1
8	Bowl Panel, Right	S0228-09	1
9A	Bowl Grease Shield	S0211-25A	1
9B	Bowl Grease Shield	S0211-25B	1
10	Flame Tamer	S0146-50	3
12	Cooking Grid	S0146-57C	2
13	Bowl Wind Shield	S0146-37A-SPP07	1
14	Gas Collector Box with Electrode	S0227-03	4
15	Electric Wire Set	S0146-59	1Set
16	Main Burner	S0221-15	4
17	Bowl Panel, Front	S0227-12	1
18	Bowl Panel, Rear	S0227-13	1
19	Upper control Panel-30mbar	S0227-05	1
20	Control Panel	S0227-06	1
21	Gas Valve Heat Shield	S0227-09	1
22	Main Valve-without jet	S0227-11	4
23	Manifold	S0227-10	1
24	Gas Valve Heat Shield Bracket	S0146-40-ZN12	2
25	Control knob - main burner	S0164-20	4
26	Knob Seat	S0174-12	4
27	Adaptor-1/4 LH inlet	S0146-197	1
28	Electric Ignitor	K0084-69	1
29	Grease Tray Handle	S0146-42	1
31	Grease Tray	S0220-08	1
32	Hotplate	S0146-183	1
33	Crossfire box	S0146-204Z	3
34	Universal Hose Bar -1/4 LH inlet	S0118-78	1
35	Warming Rack	S0146-56C-SS430	1
36	Bowl support bracket-Rear	S0227-04	1
37	Bowl support bracket- Left	P0146-102B	1
38	Bowl support bracket-Right	P0146-102A	1

G4I Model

This diagram is provided to assist you identify parts if replacement is necessary. Contact your place of purchase or the manufacturer to ensure about parts, availability and our service.

Items included in your barbecue specification may differ from the parts list, depending on region or specific dealer specification.



PART LIST G4 BI-B-R-V

<i>Ref</i>	<i>Description</i>	<i>Part No.</i>	<i>Qty</i>
1	Lid Assembly	S0210-04Z	1
2	Temperature Gauge	S0214-26	1
3	Name plate	S0146-227	1
4	Lid Rubber Pad, Rear	S0146-158	2
5	Lid Rubber Pad, Front	S0128-35	2
6	Back Burner Valve Orifice	S0146-237	1
7	Bowl Panel, Left	S0220-16	1
8	Bowl Panel, Right	S0220-17	1
9A	Bowl Grease Shield- Left	S0211-25A	1
9B	Bowl Grease Shield- Right	S0211-25B	1
10	Flame Tamer	S0146-50	3
11	Rotisserie burner wind shield bracket	M126-56-S43009	1
12	Cooking Grid	S0146-57C	2
13	Bowl Wind Shield	S0146-115	1
14	Gas Collector Box with Electrode	S0146-81	4
15	Electric Wire Set	S0220-13	4et
16	Main Burner	S0221-15	4
17	Bowl Panel, Front	S0227-12	1
18	Bowl Panel, Rear	S0227-13	1
19	Upper control Panel-30mbar	S0220-04	1
20	Control Panel	S0220-05	1
21	Gas Valve Heat Shield	S0220-06Z	1
22	Main Valve-without jet	S0227-11	4
23	Manifold	S0229-01	1
24	Gas Valve Heat Shield Bracket	S0146-40-ZN12	2
25	Control knob - main burner	S0164-20	4
26	Knob Seat	S0174-12	6
27	Adaptor-1/4 LH inlet	S0146-197	1
28	Electric Ignitor	M126-65	1
29	Grease Tray Handle	S0220-09	1
30	Valve-back Burner-w/o jet	S0146-228B	1
31	Grease Tray	S0220-08	1
32	Hotplate	S0146-183	1
33	Crossfire box	S0146-204Z	3
34	Universal Hose Bar -1/4 LH inlet	S0118-78	1
35	Warming Rack	S0146-56B-SS430	1
36	Bowl support bracket- Left	S0220-15	1
37	Bowl support bracket- Right	S0146-102B	1
38	Bowl support bracket- Rear	S0146-102A	1

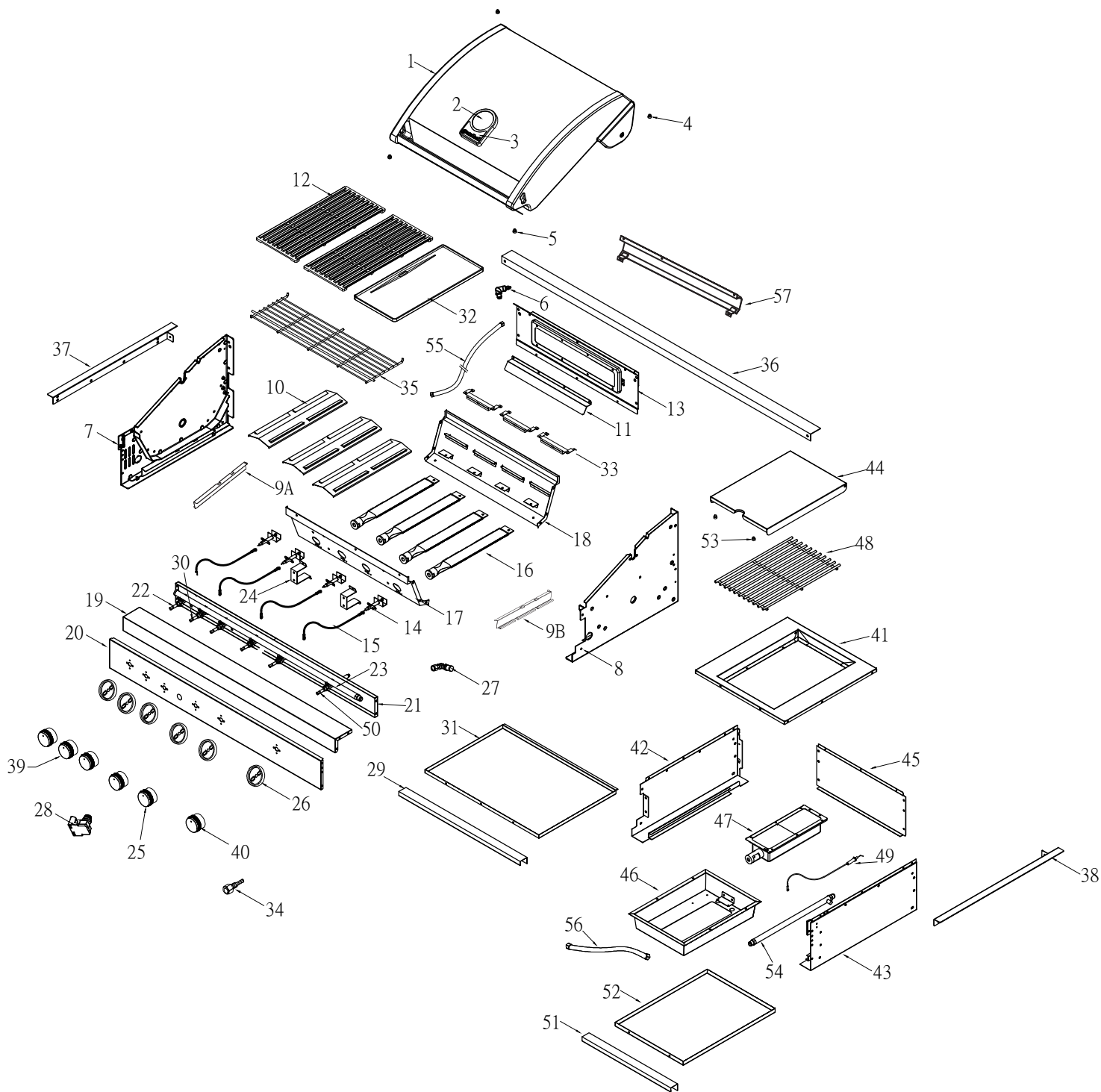
PART LIST G4 BI-B-R-V

<i>Ref</i>	<i>Description</i>	<i>Part No.</i>	<i>Qty</i>
39	Valve-back Burner-w/o jet	S0165-10	1
40	Side sear burner control knob	S0164-20	1
41	Sear burner body	S0220-01	1
42	Sear burner Bowl Panel, Left	S0155-15-CR12	1
43	Sear burner Bowl Panel, Right	S0155-16-CR12	1
44	Sear Burner Lid	S0220-02	1
45	Sear Burner Bowl Panel, Rear	S0220-03	1
46	Sear burner fire box	S0205-18-S43008	1
47	Sear Burner	S0205-21-SS304	1
48	Sear burner cooking grid	S0208-01B	1
49	Sear Burner Electrode With Wire	S0220-14	1
50	Side Burner Valve	S0220-12	1
51	Sear Burner Grease Tray Handle	S0173-06	1
52	Sear Burner Grease Tray	S0173-07B	1
53	Protective Pad For Side Burner Lid,	S0128-35	2
54	Sear Burner Manifold	S0209-18	1
55	Rotisserie Burner Extension Tube	S0229-05	1
56	Sear Burner Hose	S0209-20	1
57	Rotisserie Burner Wind Shield Panel	S0220-11	1

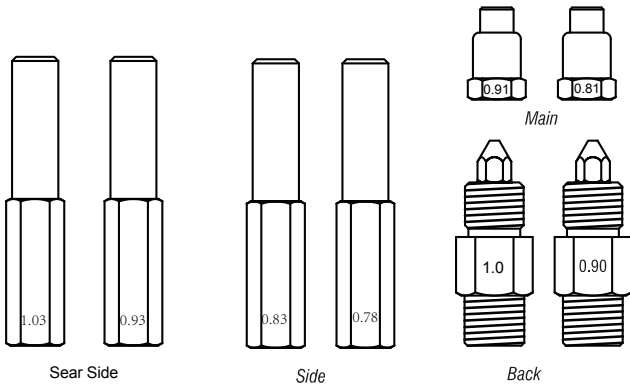
G4 BI-B-R-V Model

This diagram is provided to assist you identify parts if replacement is necessary. Contact your place of purchase or the manufacturer to enquire about parts, availability and our service.

Items included in your barbecue specification may differ from the parts list, depending on region or specific dealer specification.



INJECTOR

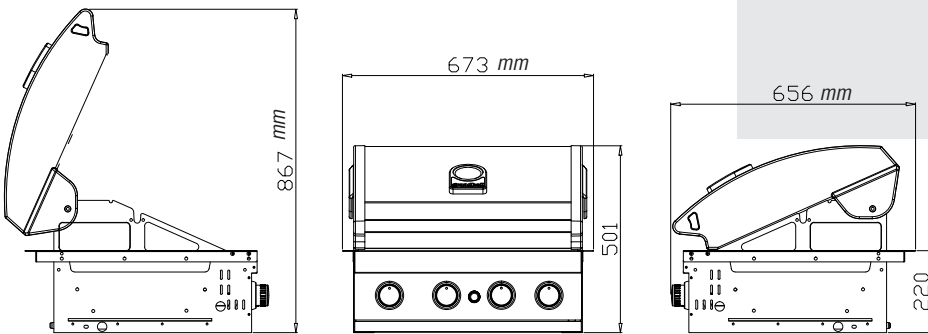


•Main	0.91mm	- I 3+ (28-30/37)
		- I 3B/P (30)
	0.81mm	- I 3B/P (50)
•Side	0.83 mm	- I 3+ (28-30/37)
		- I 3B/P (30)
	0.78 mm	- I 3B/P (50)
•Back	1.0 mm	- I 3+ (28-30/37)
		- I 3B/P (30)
	0.9 mm	- I 3B/P (50)
•Sear Side	1.03 mm	- I 3+ (28-30/37)
		- I 3B/P (30)
	0.93 mm	- I 3B/P (50)

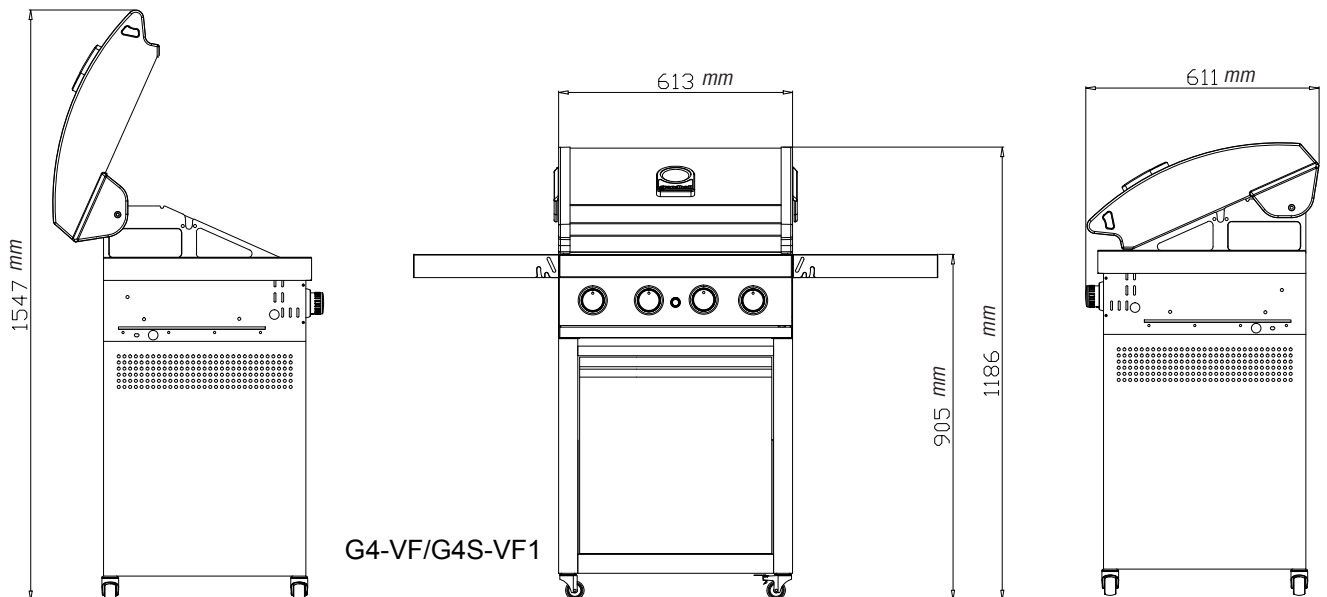
INPUT

•Main	4 burner	14 kW	-1018 grams / h
•Side		3.3 kW	-239 grams / h
•Sear		4.6 kW	-333 grams / h
•Back		4.3 kW	-312 grams / h

DIMENSIONS



G41

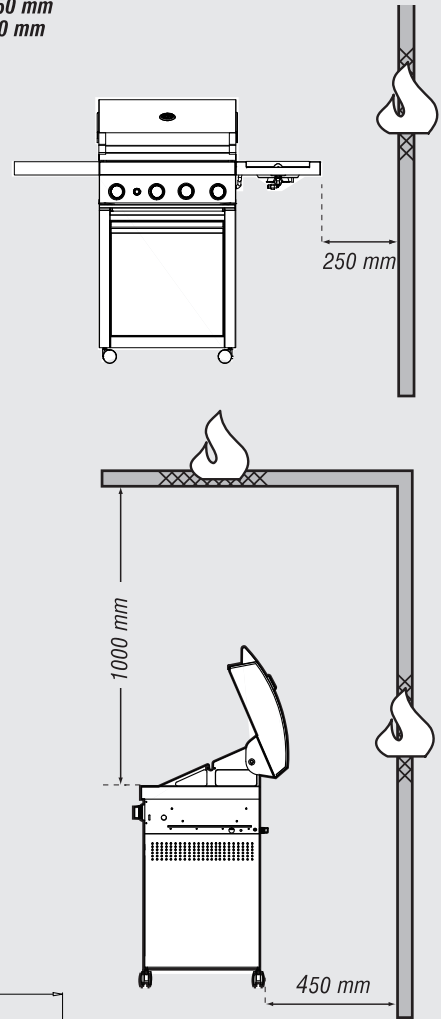


G4-VF/G4S-VF1

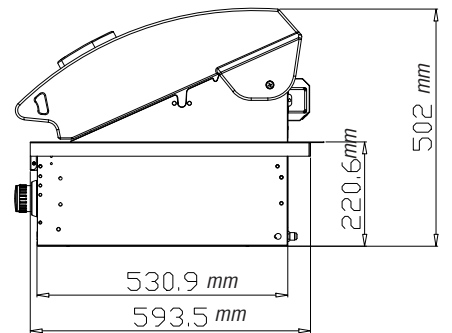
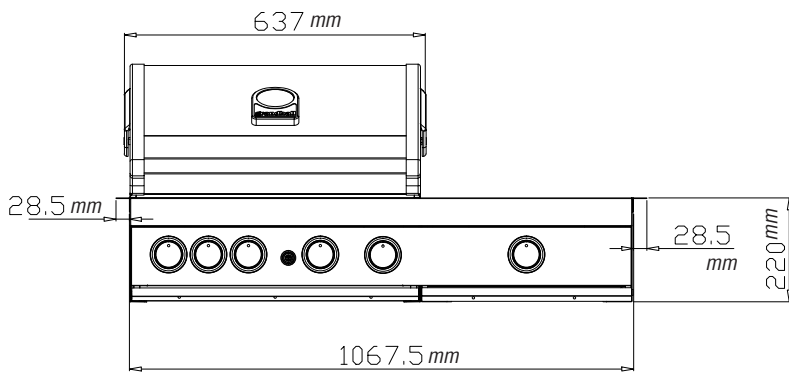
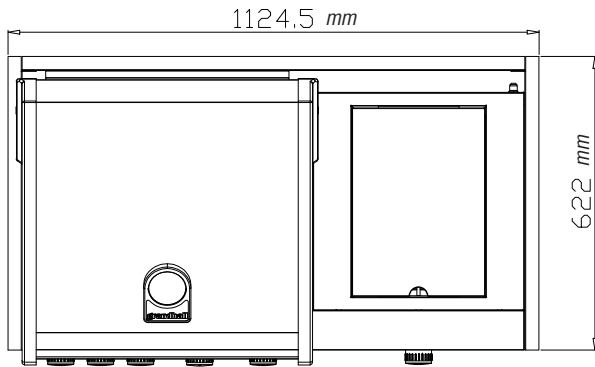


WARNINGS INFORMATION

- **MINIMUM CLEARANCES FROM COMBUSTIBLE MATERIALS MUST BE:**
REAR - 450 mm
SIDES - 250 mm
TOP - 1000 mm



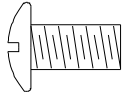
DIMENSIONS



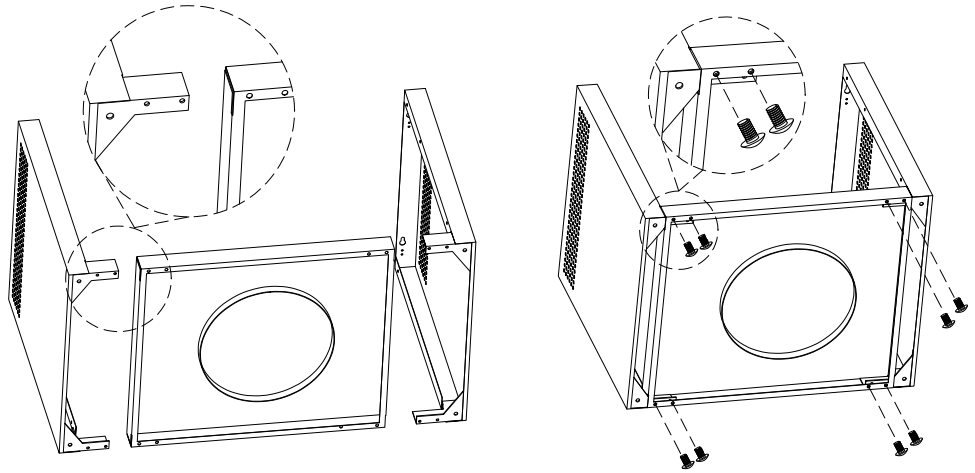
G4 BI-B-R-V

ASSEMBLY - G4-VF/G4S-VF1 Model

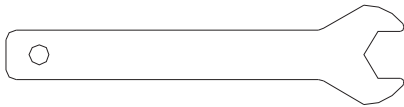
1. Install Trolley Side Panels onto Trolley Bottom Shelf



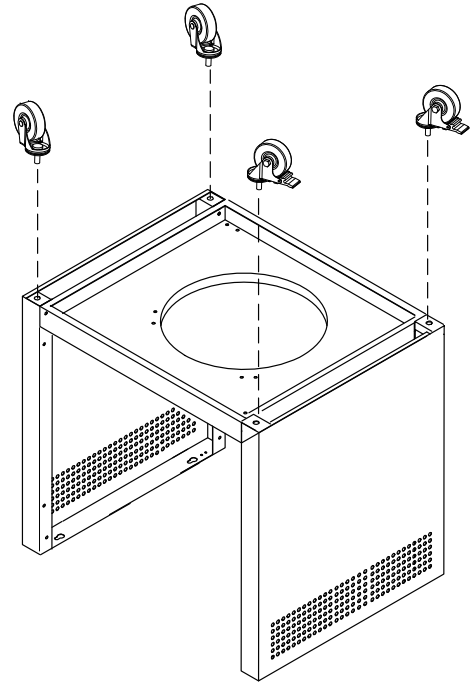
Phillips Head Screw 1/4"x1/2"
Qty.8



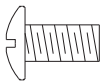
2. Install Casters



Spanner
Qty.1



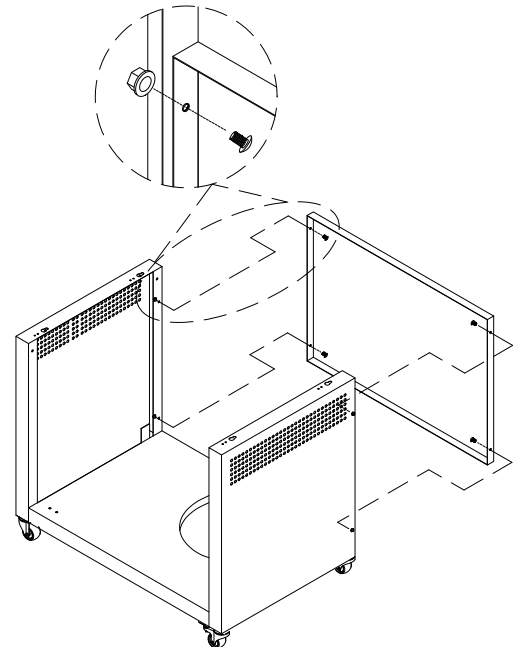
3. Install Trolley Rear Panel



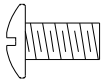
Phillips Head Screw 3/16"x 3/8"
Qty. 4



Flange Nut 3/16"
Qty.4



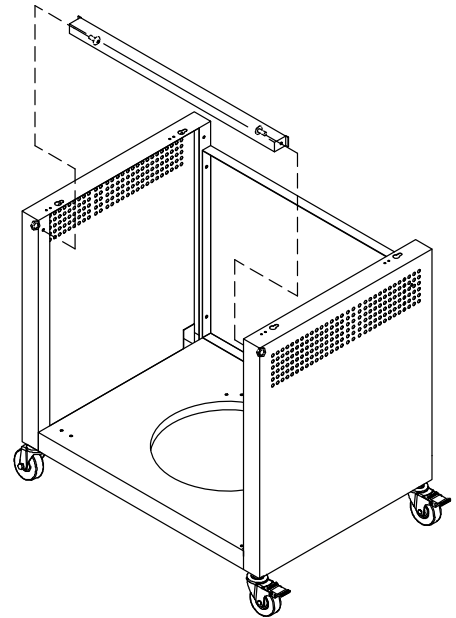
4. Install Door Bracket



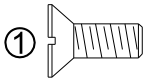
Phillips Head Screw 3/16"x 3/8"
Qty.2



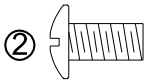
Flange Nut 3/16"
Qty.2



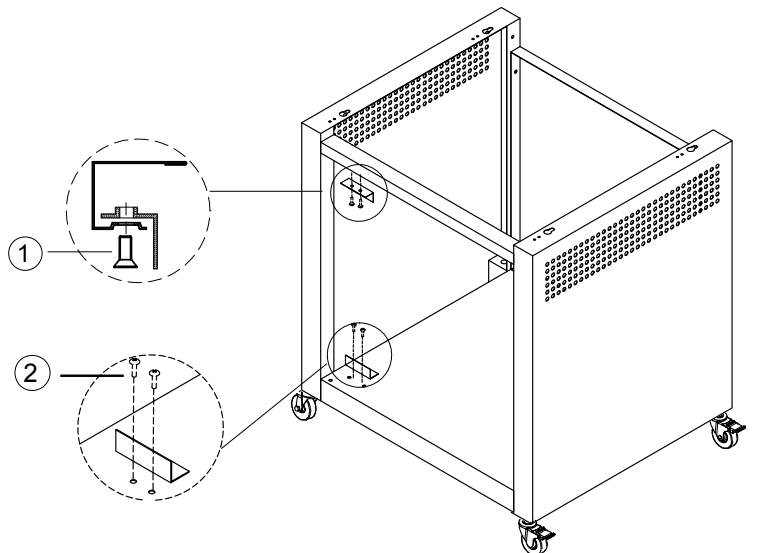
5. Install Door Stop Plate



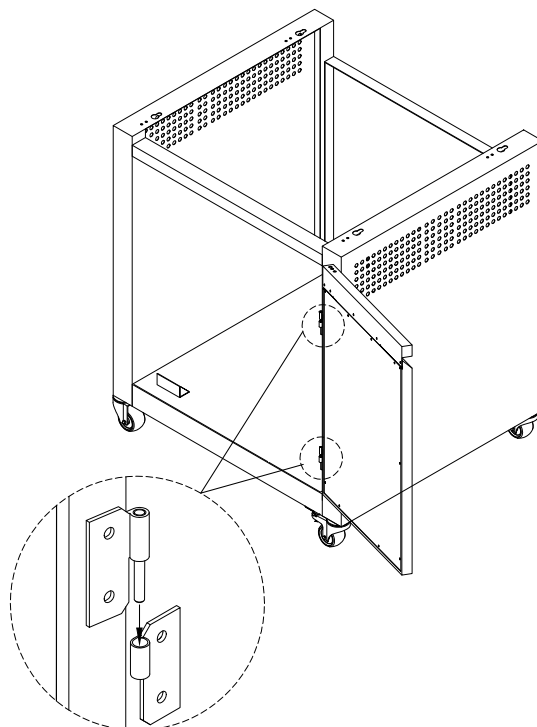
Countersunk Flat Head Screw 3/16"x3/8"
Qty.2



Phillips Head Screw 3/16"x 3/8"
Qty.2

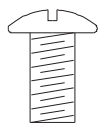


6. Install Doors

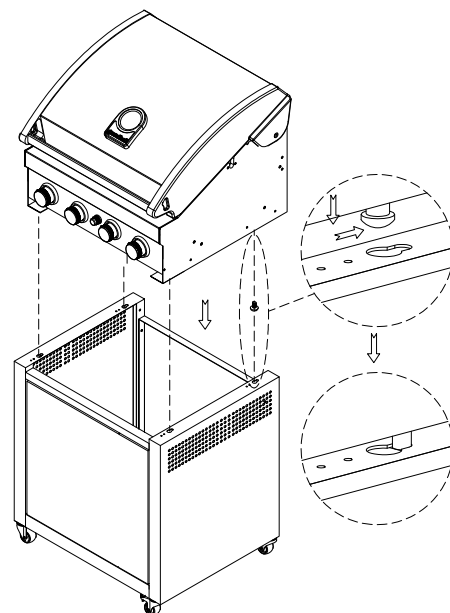


7. Install The Barbecue head to the trolley

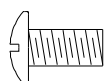
- Note: Installation requires two persons Remove all components from the barbecue head.
- Partially install the screws to the underside of the barbecue
- Locate the screw head into the keyholes on the top face of the trolley side panels, slide back to lock into position, tighten screws.



Phillips Head Screw 1/4"x1/2"
Qty.4

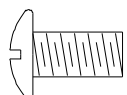


8 Install Side Shelf Brackets



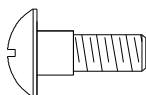
①

Phillips Head
Screw 3/16"x1/2"
Qty. 2



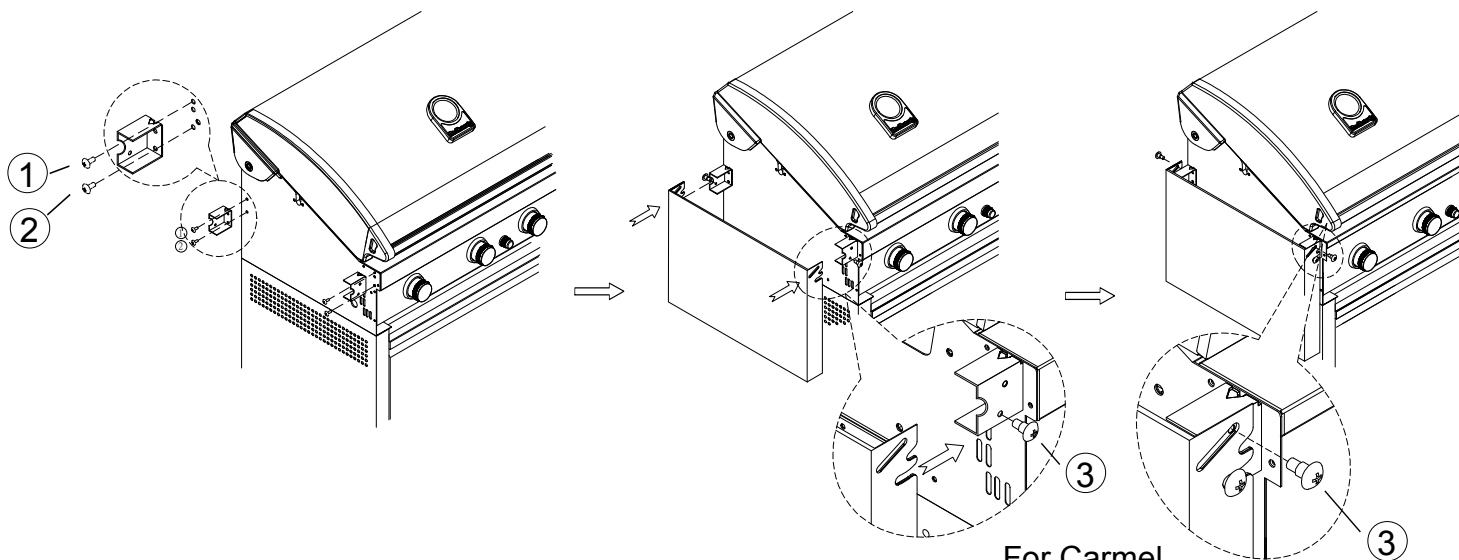
②

Phillips Head
Screw 1/4"x1/2"
Qty. 2



③

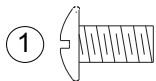
Bolt 1/4"x23/32"
Qty. 4



For Carmel

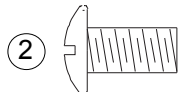
9 Install Side Burner.

- Firstly install 4 phillips head screw 3/16"x1/2" to grill head as shown and tighten only half way, then install side shelves as shown below.



①

Phillips Head Screw
3/16"x1/2"
Qty. 2



②

Phillips Head Screw
1/4"x1/2"
Qty. 2

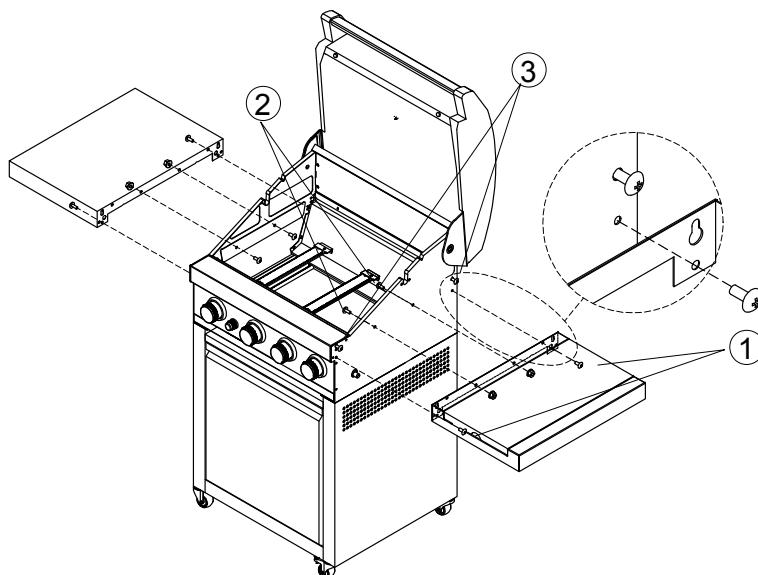


Flange Nut 1/4"
Qty.4



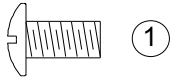
③

Countersunk Flat Head Screw
1/4"x1/2"
Qty. 2

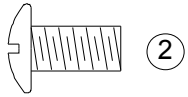


NOTE:TIGHTEN ALL SCREWS.

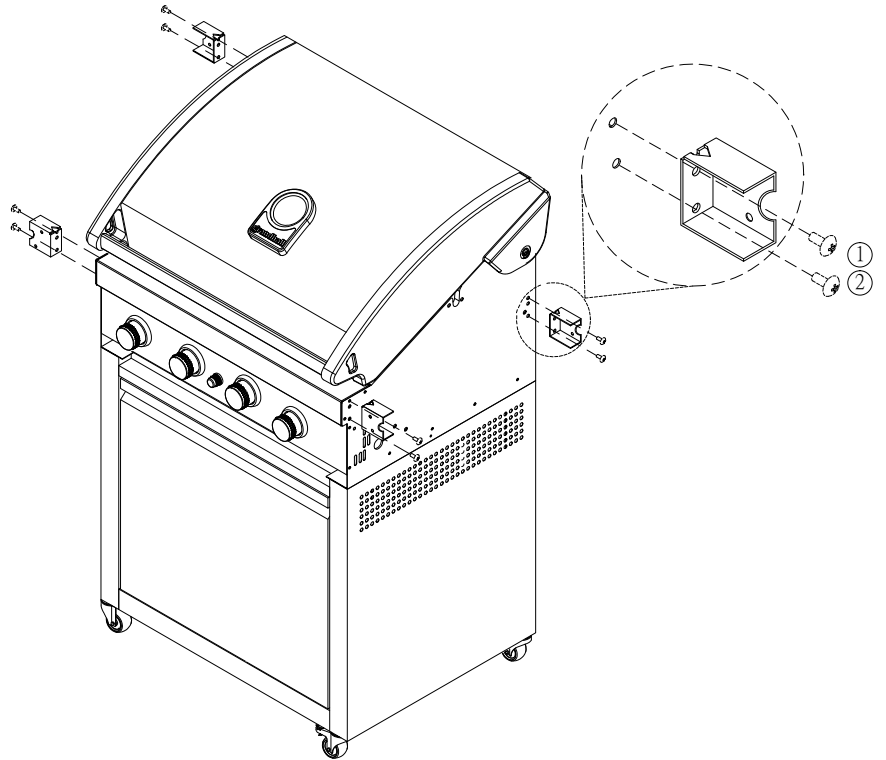
9a Install Side Shelf Brackets - G4-VF



Phillips Head
Screw 3/16"x3/8"
Qty. 4

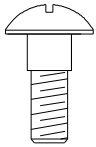


Phillips Head Screw
1/4"x1/2"
Qty. 4

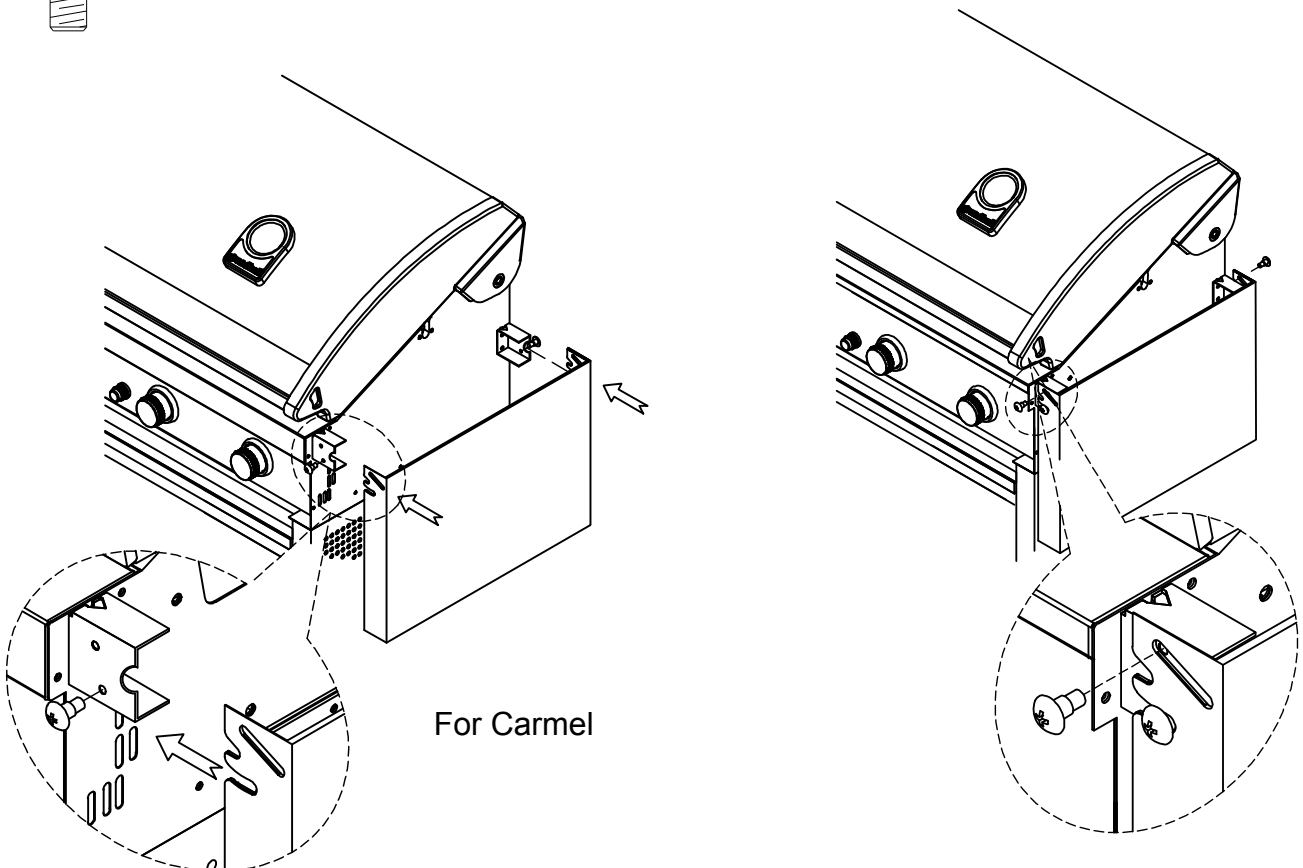


9b Install Side Shelves - G4-VF

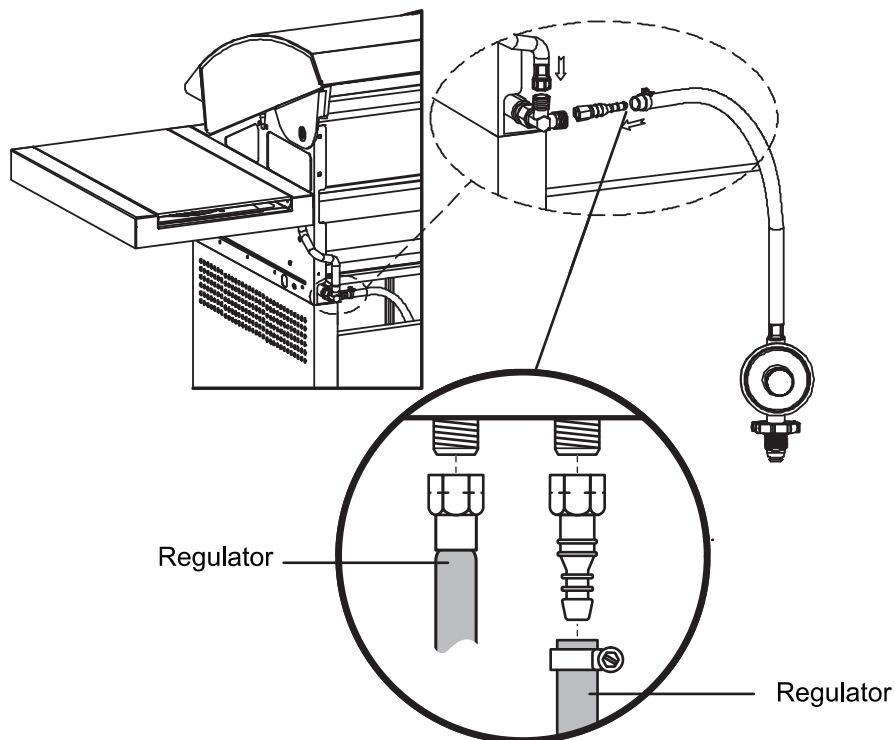
Repeat steps for Left Side Shelf.



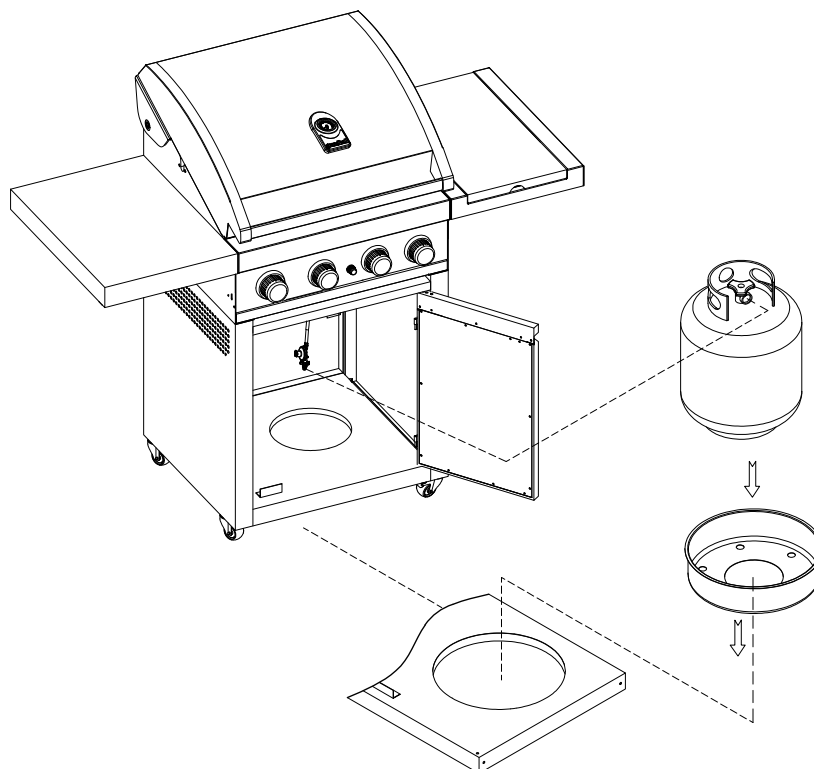
Bolt 1/4"x23/32"
Qty. 8



10. Connect Side Burner Hose and install Regulator -G4S-VF1



11. Install Gas cylinder seat and Gas Cylinder



WARNINGS INFORMATION

(GB) DO NOT OBSTRUCT THE VENTILATION OPENINGS IN THE TROLLEY.

(FR) NE PAS BOUCHER LES OUVERTURES DE VENTILATION DANS LE CHARIOT.

(DE) NICHT DIE VENTILATIONSÖFFNUNGEN IM WAGEN BLOCKIEREN.

(IT) NON OSTRIURE LE APERTURE DI VENTILAZIONE DEL CARRELLO.

(SI) NE OVIRAJTE PREZRAČEVALNE ODPRTINE V VOZICKU.

(NL) DE VENTILATIEOPENINGEN IN DE TROLLEY NIET BLOKKEREN.

(SE) BLOCKERA EJ VENTILATIONSHÅLEN I GRILLBAREN.

(FI) KÄRRYN TUULETUSAUUKKOJA EI SAA PEITTÄÄ.

(ES) NO OBSTRUYA LAS ABERTURAS DE VENTILACION DEL CARRITO.

(PT) NÃO OBSTRUA AS ABERTURAS DE VENTILAÇÃO NO TROLEI.

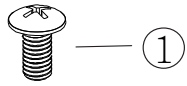
(DK) VENTILATIONSÅBNINGEN I TROLLEYEN MÅ IKKE SPÆRRES.

(NO) VENTILASJONSÅPNINGENE PÅ TRALLEN MÅ IKKE TILDEKKES.

(HR) NE BLOKIRAJTE OTVORE VENTILACIJE U KOLICIMA.

ASSEMBLY- G4I Model

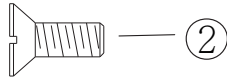
1. Install the Trim brackets Left and Right & Rear



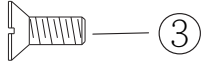
Phillips Head Screw
1/4" X 3/8"
Qty. 4



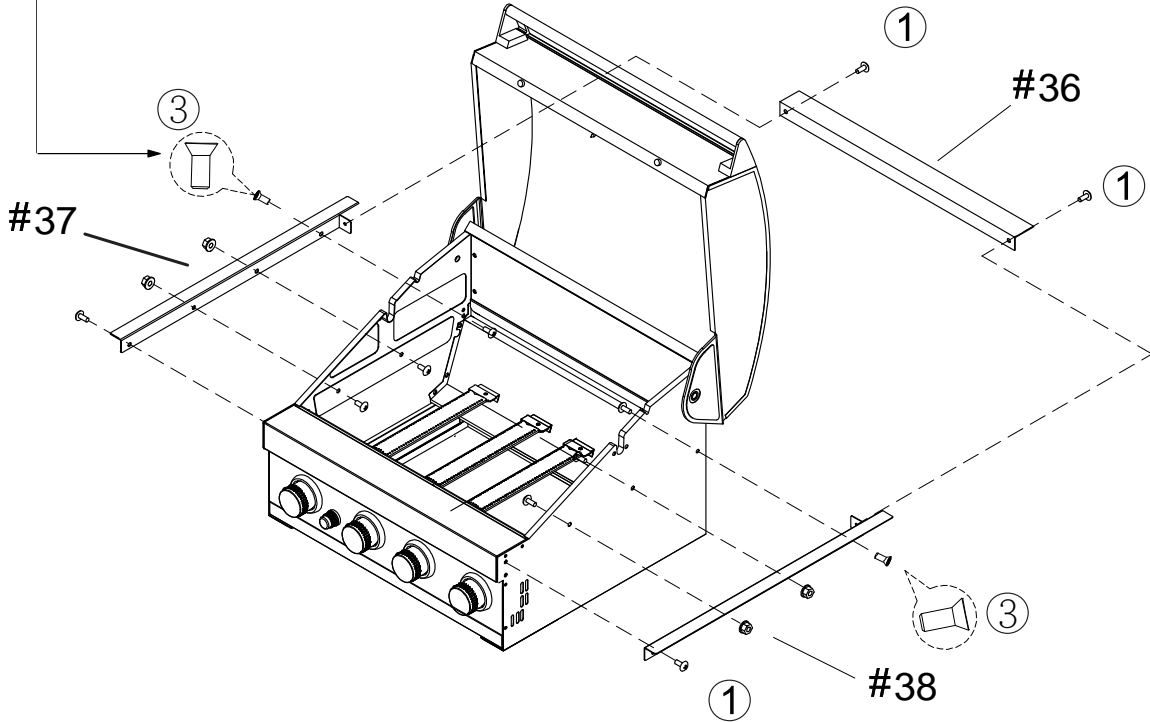
Flange Nut : 1/4"
Qty.4



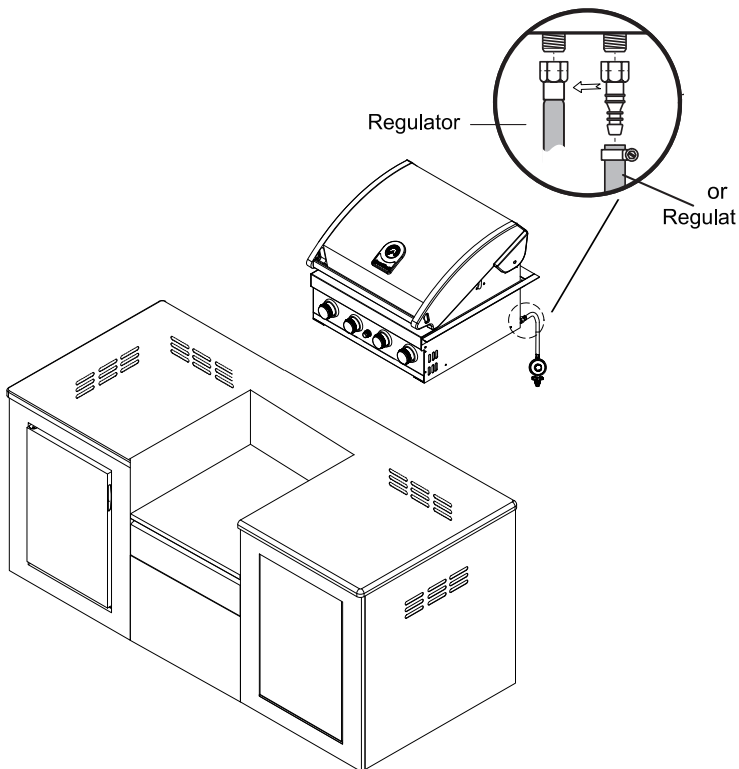
Countersunk Flat Head Screw
1/4" X 3/8"
Qty. 4



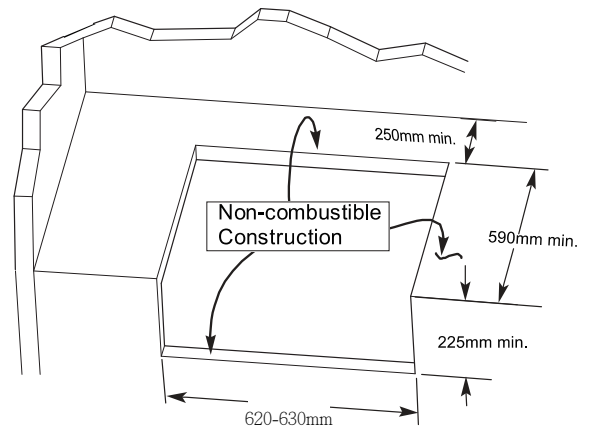
Countersunk Flat Head Screw
3/16" X 3/8"
Qty. 2



2. Regulator and Install the grill onto the housing .



MOUNTING CUT - OUT



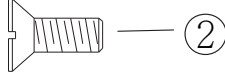
G4BI Model

ASSEMBLY - G4 BI-B-R-V Model

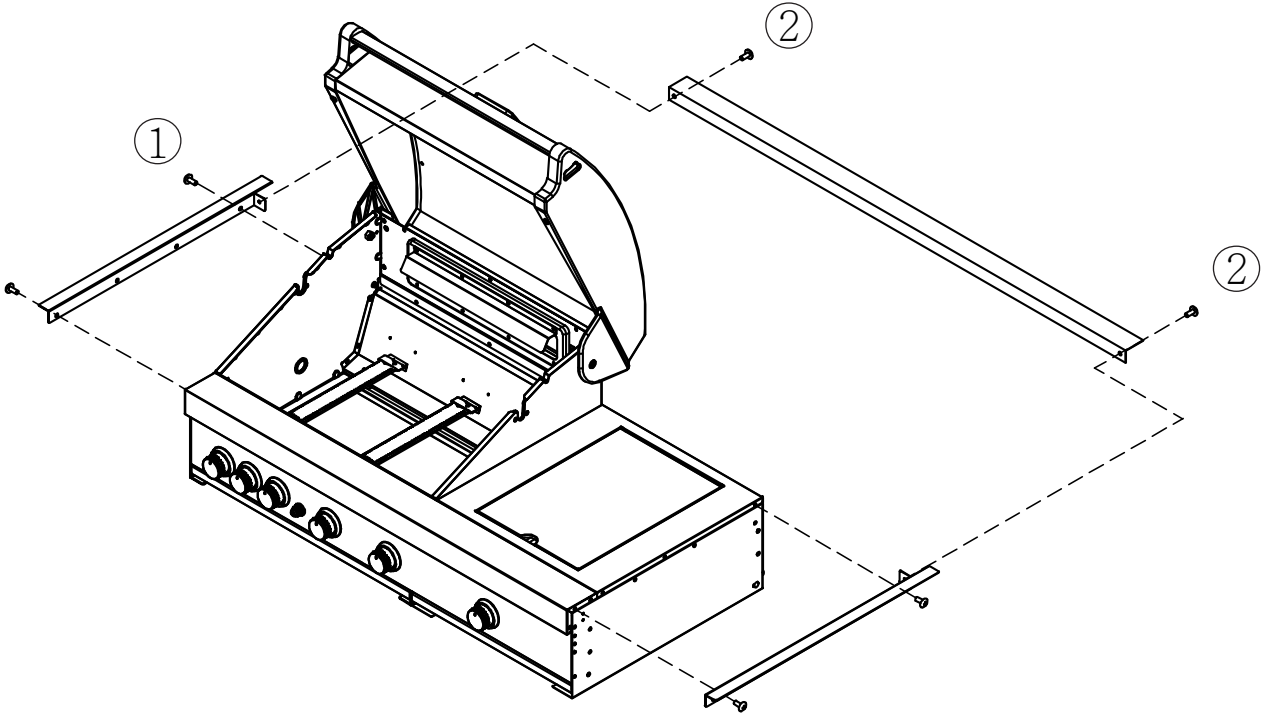
1. Install the Trim brackets Left and Right & Rear



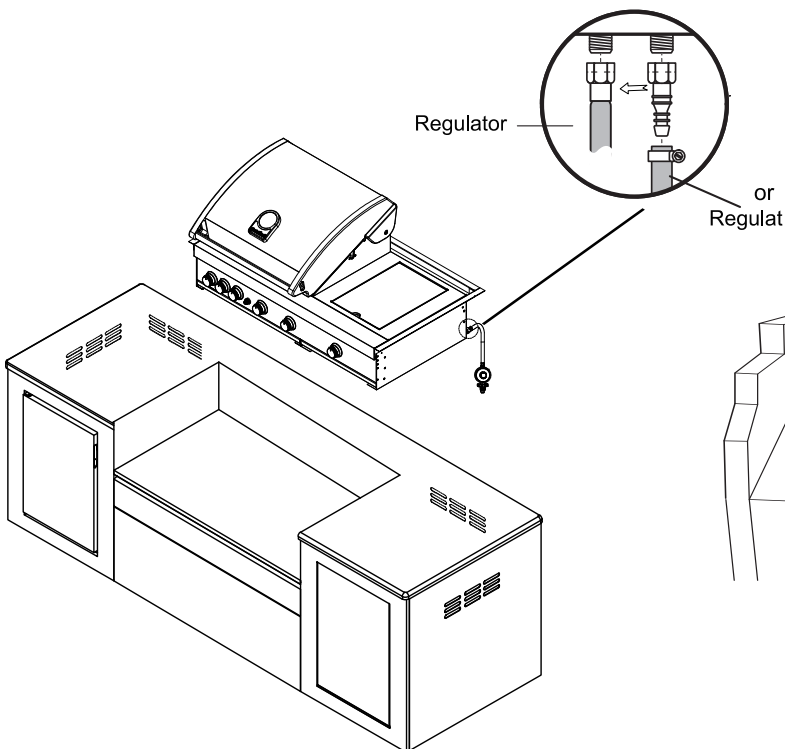
Countersunk Flat Head Screw
3/16" X 3/8"
Qty. 4



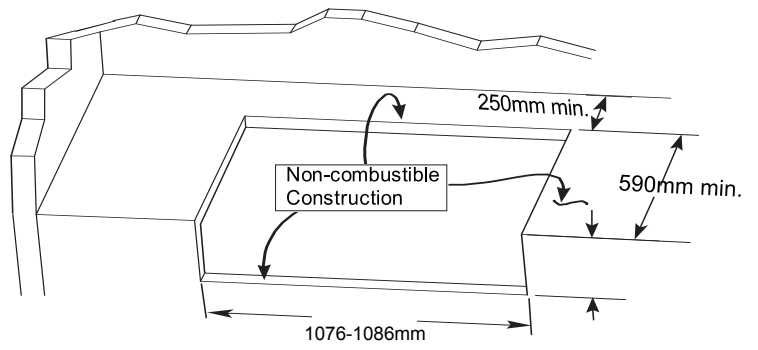
Countersunk Flat Head Screw
1/4" X 3/8"
Qty. 2



2. Regulator and Install the grill onto the housing

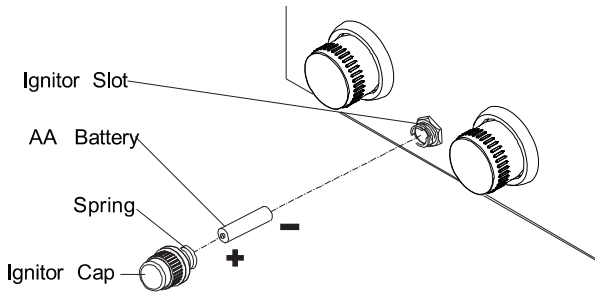


MOUNTING CUT - OUT

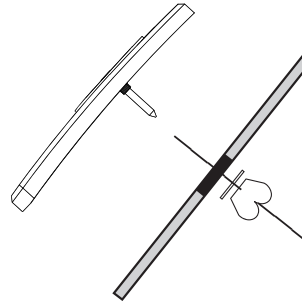


G4BI-R+ER-V

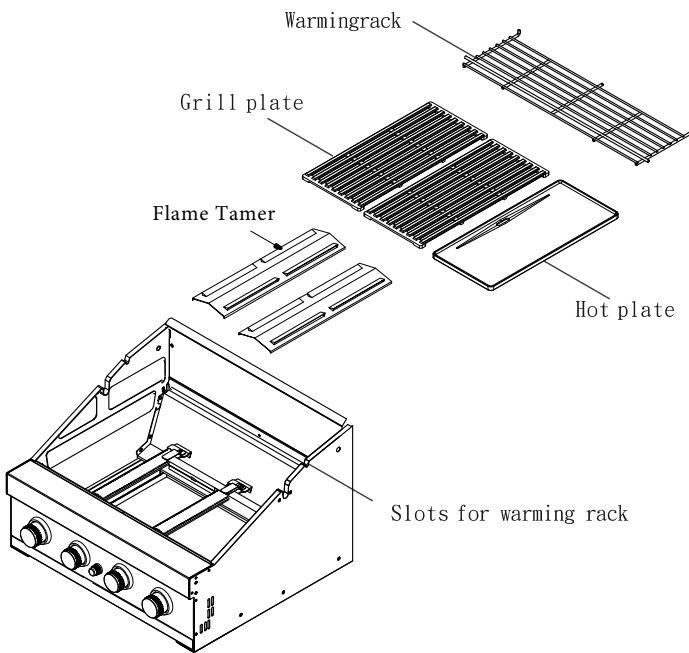
IGNITION BATTERY



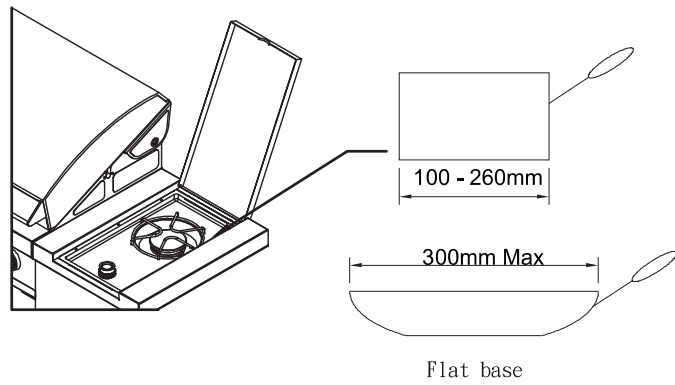
TEMPERATURE GAUGE



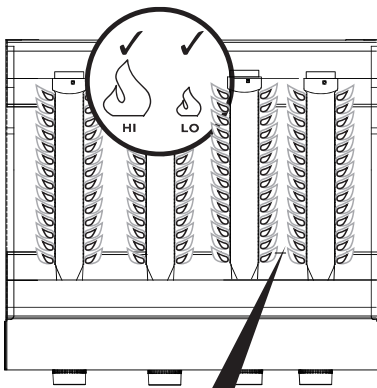
COOKING COMPONENT INSTALLATION



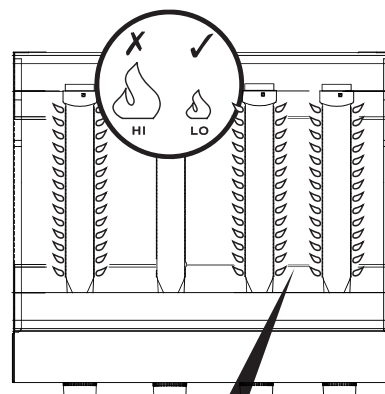
SIDE BURNER POTS



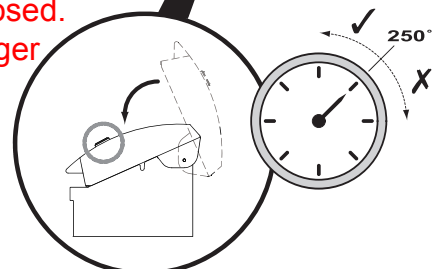
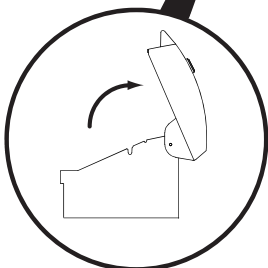
COOKING WITH HOOD OPEN



COOKING WITH HOOD DOWN



Please do not cook always with just 2 burners with hood closed. You only must not do it longer than 10 minutes if the heat goes to long over 250C.



The OLD Com B.V.
Tolstraat 17A
7482 DC Haaksbergen
The Netherlands
T: +31 (0) 53 231 3010

grandhall@grandhall.eu

All specifications are subject to change
without notice.

Toutes les caractéristiques sont susceptibles
d'être modifiées sans préavis.

Änderungen ohne vorherige Bekanntgabe
vorbehalten.

Tutti i dati tecnici possono cambiare
senza preavviso.

Alle specificaties kunnen zonder voorafgaande
kennisgeving worden gewijzigd.

Kaikki oikeudet teknisten tietojen
muutoksiin pidätetään.

Kaikki yksityiskohdat voivat muuttua ilman,
etta niistä erikseen ilmoitetaan.

Todas las especificaciones están sujetas a
cambios sin previo aviso.

Todas as especificações estão sujeitas a
alteração sem aviso.

Moguće su promjene bez prethodnih najava.

Možne so spremembe brez predhodnih najav.

Manufactured by
Zhuhai Prokan Relaxation Equipment Co., Ltd.
Jinfa Industrial Area Of Jinding Town, Zhuhai,
Guangdong, China

PK000472022AE 03/2022

(IE) (GB) NOTE: This information is a guide only. Items included in your BBQ specification may differ depending on region or specific dealer specification.

(CH) (FR) NOTE: Ces renseignements sont donnés à titre indicatif. Il est possible que les articles inclus dans les spécifications de votre barbecue diffèrent selon la région ou les caractéristiques stipulées par le concessionnaire.

(AT) (CH) (DE) ANMERKUNG: Diese Anleitung dient nur zu Informationszwecken. Einzelteile der Grillspezifikation sind unter Umständen verschieden entsprechend der Vertriebsregion oder bestimmten Händleranforderungen.

(CH) (IT) AVVERTENZA: Queste informazioni hanno il valore di guida soltanto. Gli articoli compresi nelle caratteristiche tecniche del barbecue potrebbero variare a seconda della regione o del concessionario.

(BE) (NL) ATTENTIE: Deze informatie is alleen bedoeld als gids. Onderdelen in uw BBQ specificatie en pakket kunnen per regio of per dealer verschillen.

(SE) ANM.: Denna information är endast avsedd som handledning. Specifikationerna för grillen kan variera regionalt eller beroende på de krav som olika återförsäljare har.

(FI) HUOMATKAA: Nämä tiedot ovat pelkästään suuntaa antavia. Ostamanne grillin yksityiskohdat voivat olla erilaiset paikkakunnan tai erityisten myyjäkohtaisten yksityiskohtien mukaan.

(ES) NOTA: Esta información es una guía únicamente. Es posible que las indicaciones incluidas en las especificaciones de su Asador sean diferentes según la región o las especificaciones específicas del representante.

(PT) NOTA: Esta informação é simplesmente um guia. Os itens incluídos na especificação do seu BBQ poderão diferir dependendo da especificação da região ou do vendedor específico.

(DK) NB: Denne information er kun vejledende. Specifikationer kan variere efter ønske fra forhandler, eller i henhold til nationale regler.

(NO) NB: Denne informasjon er kun veiledende. Spesifikasjoner kan variere som stipulert av forhandler, eller i henhold til nasjonale krav.

(HR) UPOZORENJE: Ova uputa služi samo u informativne svrhe. Pojedini dijelovi specifikacije roštilja su različiti od onih koji su propisani Vašim mjestom boravka ili koje su propisali razni distributeri i ovlaštenici za plinske roštilje.

(SI) OPOZORILO: Ta navodila so samo informativne narave. Posamezni deli iz specifikacije žara so lahko različni od tistih, kateri so predpisani v vaši regiji ali katere so predpisali distributerji in pooblašeni zastopniki za plinske žare.